

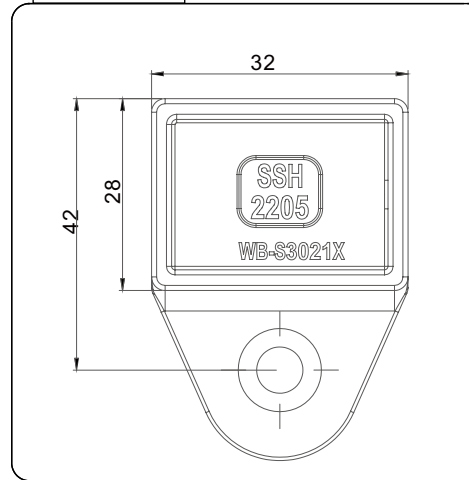
Drawing ID

WB-S30X

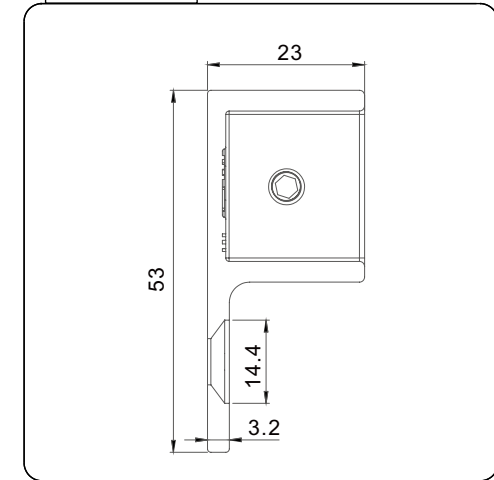
**Product Info.**

Finish	Code
Polish	WB-S30M
Satin	WB-S30S
Texture Black	WB-S30B

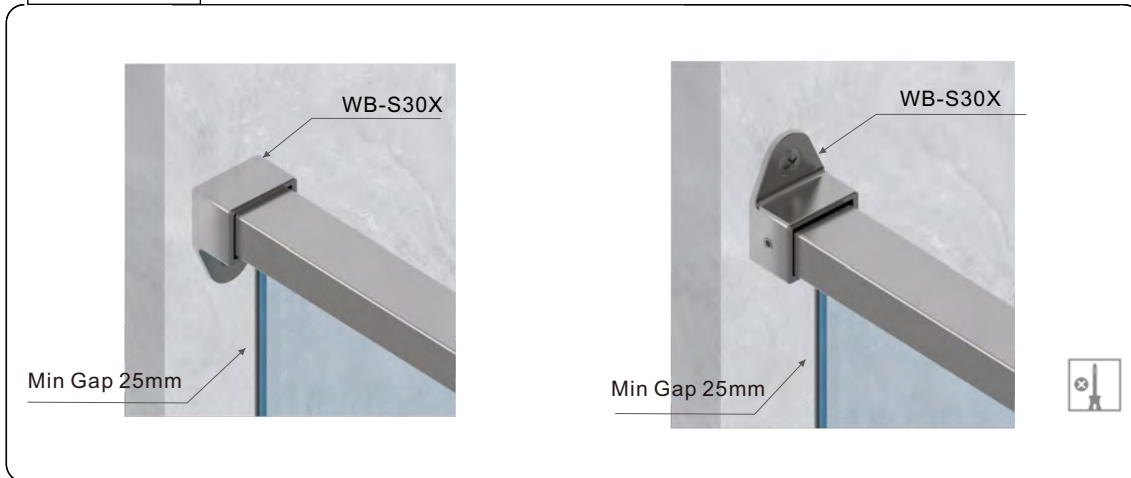
Front View



Side View



Instructions



**MATERIAL:**

2205 Stainless Steel

**CATALOGUE AND DESCRIPTION:**

- > Railing Systems
- > TR-S30 Series
- > Bottom Fix Wall Bracket

**NOTES:**

This drawing and or specification is the property of Silver Stone Hardware Pty Ltd - and must be returned to them on request. Unauthorised use may result in Legal Action. Its contents must not be made public, nor copied, nor used directly or indirectly in any way.

**SILVER STONE HARDWARE PTYLID**

56-62 Bryant Street, Padstow, NSW 2211  
 T: (02) 9792 2955 M: 0452 526 680  
[www.silverstonehardware.com.au](http://www.silverstonehardware.com.au)  
[sales@silverstonehardware.com.au](mailto:sales@silverstonehardware.com.au)